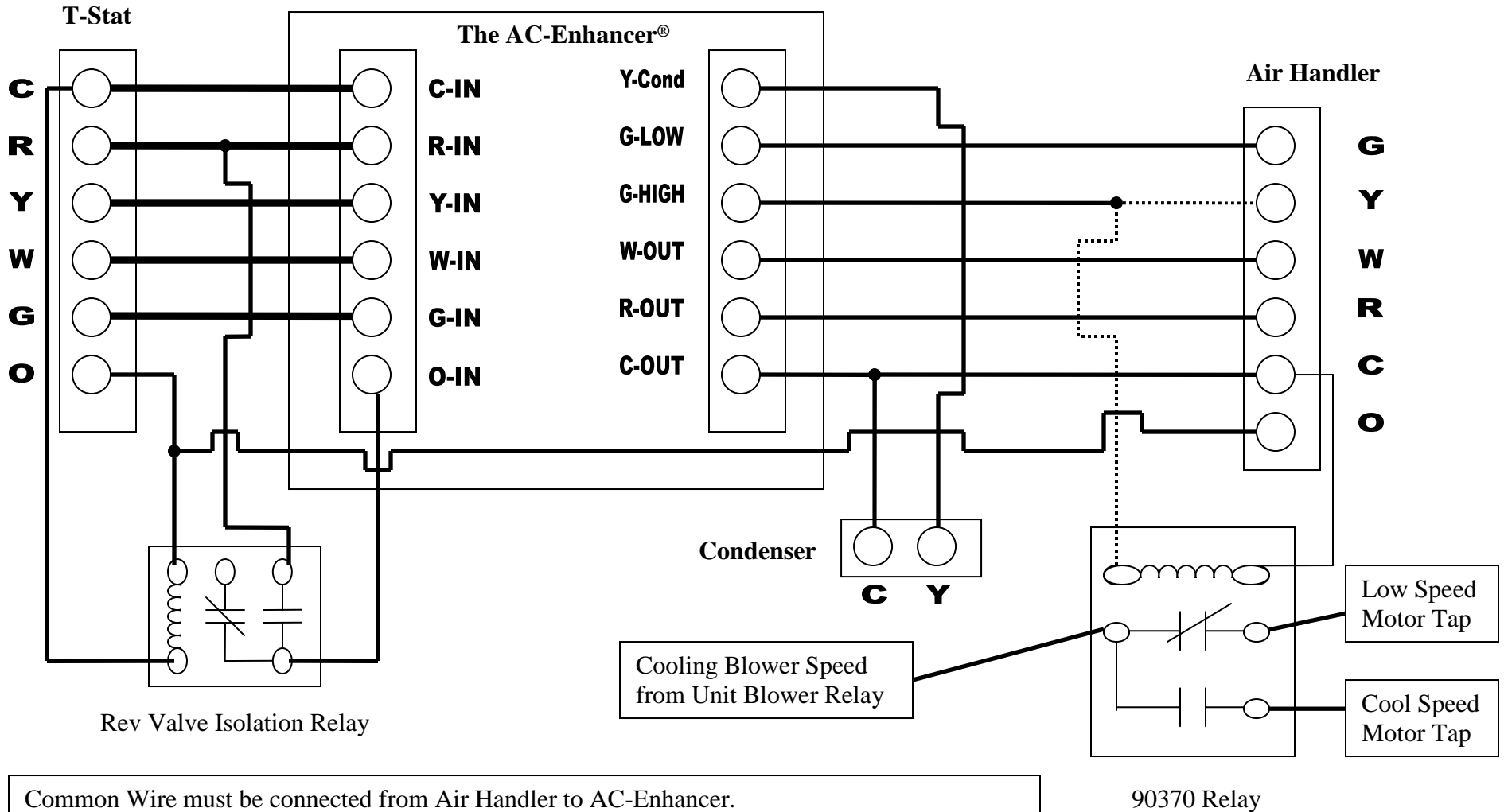


The AC-Enhancer™

Wiring Diagram Heat Pump Relay Added



Common Wire must be connected from Air Handler to AC-Enhancer.
 90370 Relay is added to system if no circuit board is present to automatically change blower speed otherwise connect G-High to air handler terminal.
 Condensing unit is only connected to The AC-Enhancer and not to Air Handler.
 O-IN must be connected for Heat Pump System